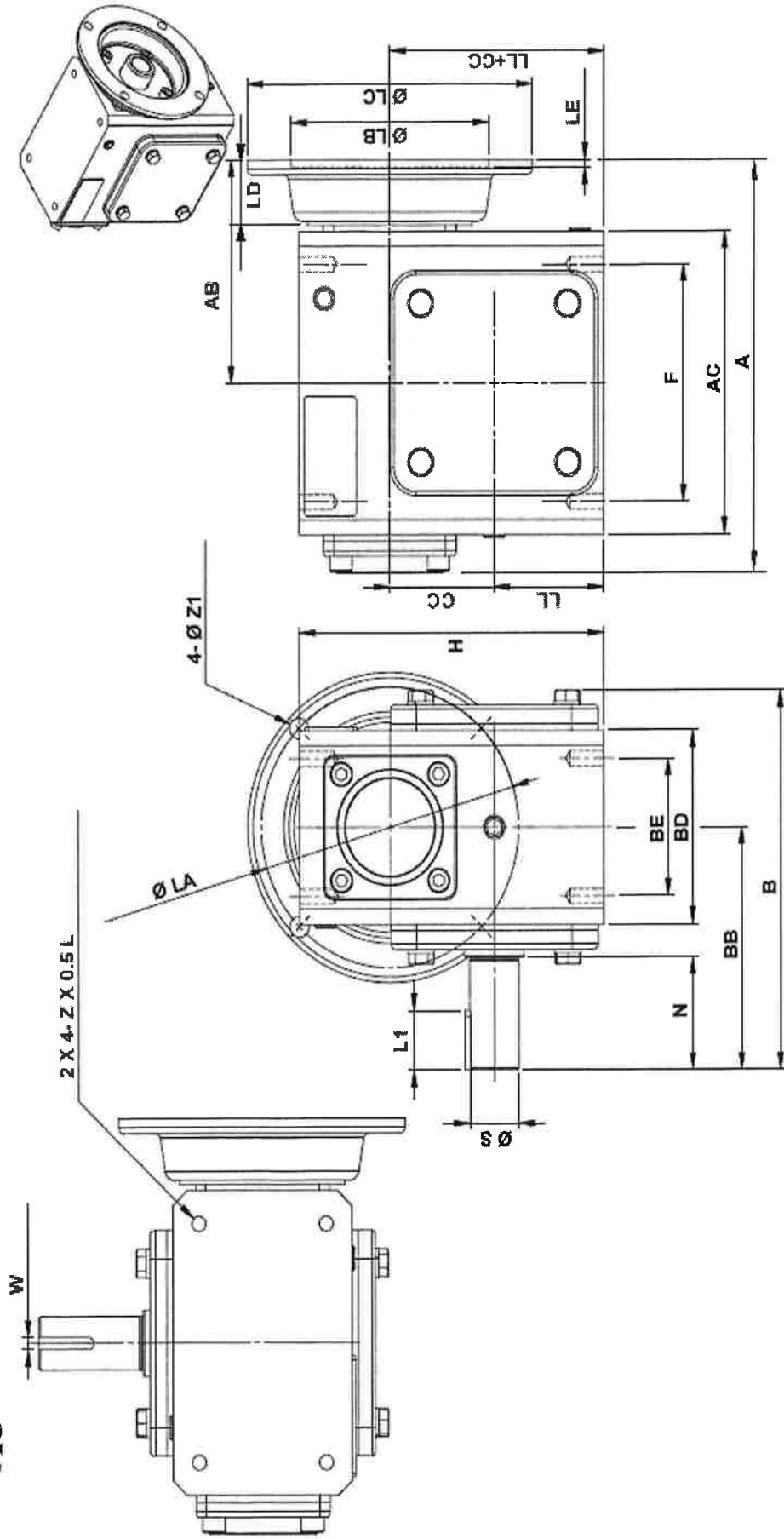




HdRF237-*-R-145TC

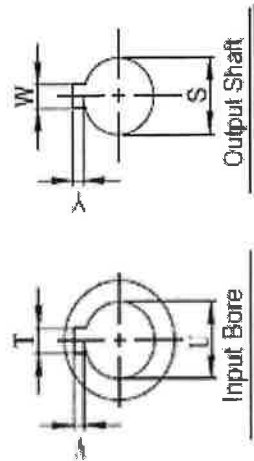
CERTIFIED



* Fill in with any ratios

A	AB	AC	B	BB	BD	BE	CC	F	H	LL	N	Z
8.71	4.705	6.378	7.948	5.087	4.055	2.88	2.375	5	6.937	2.5	2.37	3/18-16 UNC

Flange				Input Bore				Output Shaft				Oil (oz.)
LA	LB	LC	LD	LE	Z1	U	T*V	L1	S	W*Y		
5.875	4.5	6.496	1.378	0.157	0.433	0.875	3/16*3/32	1.25	1.125	1/4*1/8		26.13



Unit: Inches
Scale --- 1:3